

4K Fixed Dome Network Camera

IPC3618SR3-DPF28LM-F



Key Features



Optics

- Day/night functionality
- Smart IR, up to 30 m (98 ft) IR distance
- 2D/3D DNR (Digital Noise Reduction)

Compression

- Ultra 265,H.265,H.264,MJPEG
- Triple streams
- ROI (Region of Interest)

Network

- ONVIF Conformance

Structure

- Wide temperature range: -30°C ~ +60°C (-22°F ~ 140°F)
- Wide voltage range of ±25%
- IP67
- 3-Axis

Specifications

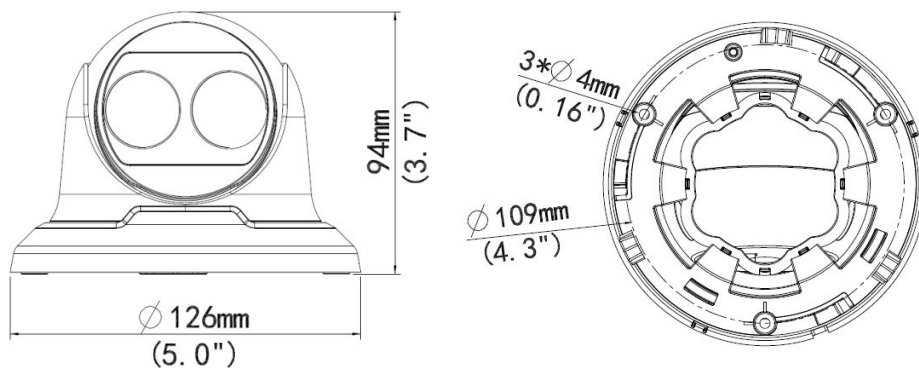
	IPC3618LR3-DPF28-F	IPC3618LR3-DPF40-F
Camera		



Sensor	1/3", 8.0 megapixel, progressive scan, CMOS				
Lens	2.8mm@F2.0				
DORI Distance	Lens	Detect(m)	Observe(m)	Recognize(m)	Identify(m)
	2.8mm	84	33.6	16.8	8.4
	4.0mm	120	48	24	12
Angle of view(H)	112.7°		86.5°		
Angle of View (V)	60.1°		44.1°		
Angle of View (O)	146.5°		106.4°		
Shutter	Auto/Manual, 1~1/100000 s				
Adjustment angle	Pan: 0°~360°		Tilt: 0°~80°		Rotate:0°~360°
Min. Illumination	Colour: 0.05 Lux (2.0, AGC ON) 0 Lux with IR				
Day/Night	IR-cut filter with auto switch (ICR)				
Digital noise reduction	2D/3D DNR				
S/N	>56dB				
IR Range	Up to 30m (98 ft) IR range				
Wavelength	850nm				
IR On/Off Control	Auto/Manual				
Defog	Digital Defog				
WDR	120dB				
Video					
Video Compression	Ultra 265, H.265, H.264, MJPEG				
H.264 code profile	Baseline Profile, Main Profile				
Frame Rate	Main Stream:8MP (3840*2160): Max. 20 fps;5MP(2944*1656): Max. 30 fps; 4MP(2560*1440): Max. 30 fps; 2MP(1920*1080): Max. 30 fps Sub Stream:720P (1280*720): Max. 20 fps Third Stream:4CIF (704*576): Max. 20 fps				
Video Bit Rate	128 Kbps~16 Mbps				
OSD	Up to 4 OSDs				
Privacy Mask	Up to 4 areas				
ROI	Up to 2 areas				
Motion Detection	Up to 4 areas				
Image					
White Balance	Auto/Outdoor/Fine Tune/Sodium Lamp/Locked/Auto2				
Digital noise reduction	2D/3D DNR				
Smart IR	Support				
Flip	Normal/Vertical/Horizontal/180°				
Dewarping	NA				
HLC	Supported				
BLC	Supported				
Smart					
Behavior Detection	Intrusion, Human Body Detection, Motion detection, Tampering alarm				
Network					
Protocols	IPv4, IGMP, ICMP, ARP, TCP, UDP, DHCP, RTP, RTSP, RTCP, DNS, DDNS, NTP, FTP, UPnP, HTTP, HTTPS, SMTP, SSL,QoS				
Compatible Integration	ONVIF (Profile S+ Profile T), API				
Client	EZStation EZView EZLive				
Web Browser	Plug-in required live view: IE9+, Chrome 41 and below, Firefox 52 and below				
	Plug-in free live view: Chrome 57.0+, Firefox 58.0+, Edge 16+, Safari 11+				

Interface	
Network	10/100M Base-TX Ethernet
Certifications	
Certifications	CE: EN 60950-1 UL: UL60950-1 FCC: FCC Part 15
General	
Power	12 V DC±25%, PoE (IEEE802.3 af)
	Power consumption: Max 5W
Dimensions (Ø x H)	Φ 118×96mm (Φ 4.6"×3.8")
Net Weight	0.33kg (0.73lb)
Material	Metal + Plastic
Working Environment	-30°C ~ +60°C (-22°F ~ 140°F), Humidity: ≤95% RH(non-condensing)
Storage Environment	-30°C ~ +60°C (-22°F ~ 140°F), Humidity: ≤95% RH(non-condensing)
Surge Protection	2KV
Ingress Protection	IP67

Dimensions

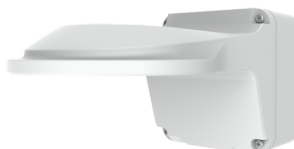


Accessories

TR-JB03-H-IN



TR-JB07/WM03-F-IN



TR-WM03-B-IN



TR-A01-IN



TR-UP06-IN

TR-SE24-IN

TR-SE24-A-IN

TR-CM24-IN



Junction box	Pole mount
TR-JB03-H-IN+TR-A01-IN	TR-JB07/WM03-F-IN (TR-WM03-B-IN)+ TR-UP06-IN
Indoor pendent mount	
TR-JB04-D-IN+TR-A01-IN+ TR-SE24-IN(TR-SE24-A-IN)+ TR-CM24-IN	

Zhejiang Uniview Technologies Co., Ltd.

Building No.10, Wanlun Science Park, Jiangling Road 88, Binjiang District, Hangzhou, Zhejiang, China (310051)

Email: overseasbusiness@uniview.com; globalsupport@uniview.com

<http://www.uniview.com>

©2019 Zhejiang Uniview Technologies Co., Ltd. All rights reserved.

*Product specifications and availability are subject to change without notice.

